

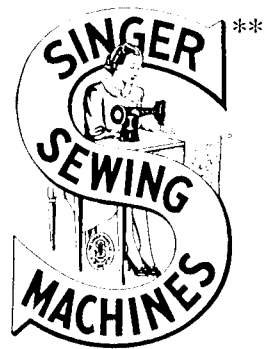
**SINGER**  
**400W33**

Form 2975w

(548)

Printed in U. S. A.

# LIST OF PARTS



MACHINE No. 400w33

---

\*\* REG. U. S. PAT. OFF. BY

THE SINGER MANUFACTURING COMPANY

## INSTRUCTIONS FOR OILING

---

To ensure easy running and prevent unnecessary wear of the parts which are in movable contact, the machine requires oiling and when in continuous use, "TYPE A" or "TYPE C" OIL, sold only by Singer Sewing Machine Company, should be applied at least twice each day to all oil holes marked "OIL", as instructed in Form 2966w.

## INDEX

---

	PAGE
ACCESSORIES	13
BELT GUARD	15
BOBBIN WINDERS	14 & 15
KNEE LIFTER	13
MACHINE NO. 400w33	5
MISCELLANEOUS PARTS	16
NUMERICAL LIST OF PARTS	17
THREAD UNWINDER	16

From the library of: Diamond Needle Co.

## INSTRUCTIONS FOR ORDERING

In ordering from this list, use ONLY the PART number in the FIRST column.

The number stamped on a Sewing Machine Part is the number of the Single Part only, except when the part includes Set Screws, Clamping Screws, Studs and Rollers Spun on, Small Wires riveted, or Parts soldered together, etc., which it is necessary to furnish in combination.

Every combination of parts sent out has its specific number which, although not stamped on Parts (except in above case), must be used when ordering the combination.

Each number always indicates the SAME PART in whatever list it appears, or for whatever Machine.

The letters after some of the numbers indicate the style of finish only, as follows:

- A. Hardened, Polished, Nickel Plated and Buffed.
- B. Polished, Nickel Plated and Buffed.
- C. Hardened only.
- D. Polished only.
- E. Soft, not polished.
- F. Hardened and Polished.
- H. Blued.
- J. Nickel Plated only.
- R. Merlized.
- X. Black Oxide, for Iron and Steel.
- XC. Hardened and Black Oxide, for Iron or Steel.
- Y. Black Nickel Plated only.

These letters MUST BE USED when they appear in the list and AFTER the number, as in the list.

In this series

1 to 1500, 200001 to 201500 and 350001 to 351500 are Screw Numbers.  
 1501 to 1800, 201501 to 201800 and 351501 to 351800 are Nut Numbers.  
 1801 to 2000, 201801 to 202000 and 351801 to 352000 are Roller Numbers  
 2001 to 50000 and 202001 to 350000 are Numbers of Machine Parts.

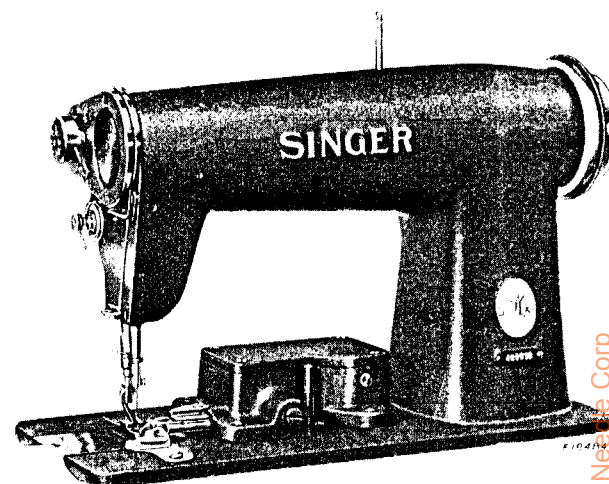
The figures in the second column refer only to the plate in which the illustration of the part is shown and are NOT TO BE USED in ordering.

Two or more numbers over a cut indicate that the difference between such parts is not visible in an illustration.

Parts marked with an asterisk (\*) are furnished only when repairs are made at the factory.

## LIST OF PARTS COMPLETE

FOR



### MACHINE No. 400w33

HIGH SPEED.

DOUBLE ROTARY DISC TAKE-UP.

SINGLE NEEDLE. LOCK STITCH. DROP FEED.

MAXIMUM STITCH 5 1/2 TO THE INCH.

PRESSER BAR LIFT 3/16 INCH.

FOR SHELL EDGE STITCHING ON LADIES'

SLIPS AND UNDERWEAR.

MAKES A 7/32 INCH HEM ON THE EDGE OF THE GARMENT AND HAS A HEM DEFLECTOR THAT PRODUCES A SCALLOP EVERY SIXTH STITCH.

No.	Plate	Arm	Name
*270001	----	Arm	
270002	18418	"	Cover Plate (back)
200041X	18418	"	" " " Screw (2)
204235	18418	"	Position Pin (2)
200004E	18418	"	Screw (3)
202005	18418	"	" " Washer (3)
*270084	18376	"	Shaft
270177	18376	"	" 270084 with 200333C, 200378C, 270005 and 270099
270004	18376	Arm	Shaft Ball Bearing (back)
270005	18376	"	" " " " (front)

From the library of: Diamond Needle Corp

No.	Plate	Name
270926	18376	Arm Shaft Connection Belt (reinforced neoprene)
270168	18376	Arm Shaft Connection Belt Pulley and Rotary Take-up Driving Pulley with 200363AL, 350492C and three 214206
350492C	18376	Arm Shaft Connection Belt Pulley Position Screw
200363AL	18376	Arm Shaft Connection Belt Pulley Set Screw
214206	18376	Arm Shaft Connection Belt Pulley Spring Flange
270189	18376	Balance Wheel (aluminum alloy casting) for 5/16" round belt, (diam. of belt groove 1-13/16 in.) (rim diam. 4 in.) with 201346C and 350107C
270190	18376	Balance Wheel 270189 with 270004
270187	18376	" " (aluminum alloy casting) for "V" belt (outside diam. of belt groove 2.9 in.) (rim diam. 4 in.) with 201346C and 350107C
270188	18376	Balance Wheel 270187 with 270004
Note: Balance Wheel 270188 is furnished with this machine unless otherwise specified on order		
350107C	18376	Balance Wheel Position Screw
201346C	18376	" " Set Screw
*270751	-----	Bed
270009	18418	" Slide
270144	18377	Face Plate
350503H	18377	" " Screw (5)
143030	18305	Feed Bar
270012	18305	" " Center (2)
200394C	18305	" " " Set Screw
235706	18305	" " Oiling Wick
270138	18305	" " " Holder
270139	18305	" " " " 270138 with 235706
52266	18305	Feed Bar Slide Block
52267	18305	" " " " 52266 with 125060
*125060	18305	" " " " Stud
270752	18419	" Dog, 16 teeth (16 teeth to the inch)
50117E	18419	Feed Dog Screw (2)
270013	18305	" Driving Connection
270014	18305	" " " 270013 with 270016
270015	18305	Feed Driving Connection Crank with 200040E
200040E	18305	Feed Driving Connection Crank Pinch Screw
200545C	18305	Feed Driving Connection Hinge Screw
201522E	18305	" " " " " Nut
270016	18305	" " " Needle Bearing
270017	18420	" " Eccentric
270018	18420	" " " Adjusting Disc
270137	18420	" " " " " Spring

No.	Plate	Name
270111	18420	Feed Driving Eccentric Adjusting Disc Spring Collar with 201220C
201220C	18420	Feed Driving Eccentric Adjusting Disc Spring Collar Position Screw
240231	18420	Feed Driving Eccentric Friction Gib
203369C	18420	" " " " " Adjusting Screw
350101C	18420	Feed Driving Eccentric Friction Gib Adjusting Screw Set Screw
270020	18420	Feed Driving Flange with 200333C, 200346C, two each 200369C and 350101C
200333C	18420	Feed Driving Flange Position Screw
200346C	18420	" " " Set Screw
270021	18305	" " Rock Shaft with two 200394C
270022	18305	Feed Driving Rock Shaft Center (2)
350277C	18305	" " " " " Set Screw (2)
270013	18305	Feed Lifting Connection
270014	18305	" " " 270013 with 270016
270015	18305	Feed Lifting Connection Crank with 200040E
200040E	18305	Feed Lifting Connection Crank Pinch Screw
200545C	18305	Feed Lifting Connection Hinge Screw
201522E	18305	" " " " " Nut
270016	18305	" " " Needle Bearing
270023	18420	" " Eccentric with 200382C and 201220C
201220C	18420	Feed Lifting Eccentric Position Screw
200382C	18420	" " " Set Screw
270024	18305	" " Rock Shaft with 52267
270022	18305	" " " " Center (2)
350277C	18305	" " " " " Set Screw (2)
270140	18420	Feed Regulating Stud
240245	18420	" " " Retaining Spring
270026	18420	" " " Spring
270753	18421	Hem Deflector
270754	18421	" " Bar
270755	18421	" " " Connecting Link
350350C	18421	" " " " " Hinge Screw
201528E	18421	Hem Deflector Bar Connecting Link Hinge Screw Nut
350501C	18421	Hem Deflector Bar Hinge Screw
222598	18421	" " " Oil Drain Wick
270756	18421	" " Driving Eccentric with two 200958C
270757	18421	Hem Deflector Driving Eccentric Connection
200667C	18421	Hem Deflector Driving Eccentric Connection Hinge Screw
201525E	18421	Hem Deflector Driving Eccentric Connection Hinge Screw Nut

From the Library of the National Needle Corp.

No.	Plate	Name
200958C	18421	Hem Deflector Driving Eccentric Set Screw
270758	18421	Hem Deflector Driving Gear with two 200394C
270759	18421	Hem Deflector Driving Gear Housing with 200485E and three 200382C
270760	18421	Hem Deflector Driving Gear Housing Cover
270761	18421	Hem Deflector Driving Gear Housing Cover Gasket
200041X	18421	Hem Deflector Driving Gear Housing Cover Screw (4)
200485E	18421	Hem Deflector Driving Gear Housing Oil Plug Screw
202004	18421	Hem Deflector Driving Gear Housing Position Pin (2)
200041X	18421	Hem Deflector Driving Gear Housing Screw (6)
200394C	18421	Hem Deflector Driving Gear Set Screw
270762	18421	" " " " Shaft
270764	18421	" " " " " Bushing (2)
200485E	18421	Hem Deflector Driving Gear Shaft Bushing Oil Stop Screw (2)
200382C	18421	Hem Deflector Driving Gear Shaft Bushing Set Screw
270765	18421	Hem Deflector Driving Sleeve
270766	18421	" " " " Shaft
200382C	18421	" " " " " Set Screw
270767	18421	Hem Deflector Guard
200161H	18421	" " " Screw
270768	18421	" " Holder with 200351H
200351H	18421	" " " Set Screw
350219E	18421	" " " Screw
201535E	18421	" " " Nut
270769	18419	Hemmer on Shank for 7/32" hem
200157D	18419	" " " Screw
270045	18306	Knee Lifter Lifting Link
270285	18418	" " " " Connection
200427C	18418	" " " " " Set Screw
200293C	18306	Knee Lifter Lifting Link Hinge Screw
270094	18418	" " " " Rod
270048	18418	" " " " " Connection
200434C	18418	Knee Lifter Lifting Link Rod Connection Set Screw
270049	18418	Knee Lifter Rock Shaft with 200427C and 200434C
270050	18306	Needle Bar with 350445F
270124	18306	" " Bushing (lower)
270261	18306	" " " (upper)
350489AL	18306	" " " " Set Screw
270053	18306	" " Connecting Link
270054	18306	" " " " 270053 with 270043

No.	Plate	Name
270055	18306	Needle Bar Connecting Link Guide Block
200054E	18306	" " " " " Screw (2)
270143	18306	Needle Bar Connecting Link Hinge Stud with 222598 and 270161
222598	18306	Needle Bar Connecting Link Hinge Stud Oil Packing (wick)
200374C	18376	Needle Bar Connecting Link Hinge Stud Set Screw
270043	18306	Needle Bar Connecting Link Needle Bearing
270100	18306	Needle Bar Connecting Link Thrust Washer
270057	18306	Needle Bar Connecting Stud with 200086C and 202330
202330	18306	Needle Bar Connecting Stud Oil Packing (wick)
200086C	18306	Needle Bar Connecting Stud Pinch Screw
*270099	18376	Needle Bar Crank with two 200374C
200333C	18376	" " " " Position Screw
200378C	18376	" " " " " Check Screw
270058	18306	Needle Bar Oiling Felt
350445F	18306	" Set Screw
270059	18306	Presser Bar with 176X
270060	18306	" " Bushing
270061	18306	" " Lifter
350442C	18306	" " " Hinge Screw
270062	18306	" " Lifting Releasing Lever Bracket
270095	18306	Presser Bar Lifting Releasing Lever Bracket Spring
270063	18306	Presser Bar Position Guide with 200196E and 350411C
350411C	18306	Presser Bar Position Guide Pinch Screw
270064	18418	Presser Bar Spring
350435C	18418	" " " Screw (pressure regulating)
350499XC	18418	Presser Bar Spring Screw Stud
202090	18419	" Foot Hinge Pin
270770	18419	" " Plate
270776	18419	" " Shank
26231	18419	" " Spring
270771	18419	Presser Foot complete, Nos. 26231, 202090, 270770 and 270776
176X	18306	Presser Foot Screw
270927	18377	Rotary Take-up (large)
270161	18306	" " " Position Pin
401D	18377	" " " Screw (2)
271032	18377	" " " Thread Guide
270906	18378	" " " (small) with 270147 and 350418C
270068	18378	Rotary Take-up (small) Driving Shaft
270032	18378	" " " " " Ball Bearing (3)

No.	Plate	Name
270069	18378	Rotary Take-up (small) Driving Shaft Connection Belt
270072	18378	Rotary Take-up (small) Driving Shaft Pulley with two 200382C
200382C	18378	Rotary Take-up (small) Driving Shaft Pulley Set Screw
350418C	18378	Rotary Take-up (small) Set Screw
270147	18378	" " " Thread Cast-off Pin
270148	18377	Rotary Take-up Guard
350503H	18377	" " " Screw (3)
270868	18379	Rotating Hook with 143301 and two 1253AL
270869	18379	Rotating Hook 270868 with 270874XC and four 1053E
270870	18379	Rotating Hook 270869 with 270872, 270876 and three 1367E
270871	18379	Rotating Hook 270870 with 52237
270010	18379	" " Bobbin
52235	18379	" " " Case
52236	18379	" " " " 52235 with 591F, 1380E and 40394
40393	18379	Rotating Hook Bobbin Case Hinge, Nos. 2974, 40392 and 125320
270872	18379	Rotating Hook Bobbin Case Holder (chromium plated)
52018	18379	Rotating Hook Bobbin Case Holder Position Bracket
200077D	18379	Rotating Hook Bobbin Case Holder Position Bracket Screw
40392	18379	Rotating Hook Bobbin Case Latch
125320	18379	" " " " " Lever
2974	18379	" " " " " Fulcrum Pin
2975	18379	Rotating Hook Bobbin Case Latch Spring
592E	18379	" " " " " Stop Screw
40394	18379	Rotating Hook Bobbin Case Tension Spring
591F	18379	Rotating Hook Bobbin Case Tension Spring Regulating Screw
1380E	18379	Rotating Hook Bobbin Case Tension Spring Screw
52237	18379	Rotating Hook Bobbin Case complete, Nos. 592E, 2975, 40393 and 52236
270873	18379	Rotating Hook Bobbin Case 52237 with 270872
270031	18420	Rotating Hook Driving Shaft
270032	18420	" " " " Ball Bearing
270033	18420	Rotating Hook Driving Shaft Bushing with 222598
222598	18420	Rotating Hook Driving Shaft Bushing Oil Packing (wick)
200362C	18420	Rotating Hook Driving Shaft Bushing Set Screw

No.	Plate	Name
270169	18420	Rotating Hook Driving Shaft Connection Belt Pulley with 214206 and two 200070C
200070C	18420	Rotating Hook Driving Shaft Connection Belt Pulley Set Screw
214206	18420	Rotating Hook Driving Shaft Connection Belt Pulley Spring Flange
270772	18420	Rotating Hook Driving Shaft Gear and Hem Deflector Driving Worm with 200382C and 201220C
201220C	18420	Rotating Hook Driving Shaft Gear and Hem Deflector Driving Worm Position Screw
200382C	18420	Rotating Hook Driving Shaft Gear and Hem Deflector Driving Worm Set Screw
270036	18420	Rotating Hook Driving Shaft Oil Lead Wire
270773	18418	Rotating Hook Oil Reservoir Cover
270039	18418	" " " " " " Gasket
200041X	18418	Rotating Hook Oil Reservoir Cover Screw (6)
270774	18420	Rotating Hook Oil Reservoir Oil Gauge
143301	18379	" " " Wick (felt)
270876	18379	" " Section
1367E	18379	" " " Screw
1253AL	18379	" " Set Screw
270162	18420	" " Shaft
270163	18420	" " " Bushing
268258	18420	" " " " Oil Packing (wick)
350277C	18420	Rotating Hook Shaft Bushing Set Screw
270164	18420	" " " End Bearing
201215D	18420	" " " " Screw
202423	18420	" " " Oil Filter Wick
143349	18420	" " " " " Holder
270176	18420	Rotating Hook Shaft Oil Filter complete, Nos. 143349 and 202423
350498E	18420	Rotating Hook Shaft Oil Regulating Screw
270044	18420	Rotating Hook Shaft Thrust Washer
270166	18420	Rotating Hook Shaft Bushing complete, Nos. 268258, 270044, 270162 to 270164, 270176, 350498E and two 201215D
270874XC	18379	Rotating Hook Thread Guard
1053E	18379	" " " " " Screw
2102	18377	Tension Disc
270076	18306	" Releaser (adjustable)
200132E	18306	" " Screw
32572	18377	" Releasing Disc
270086	18377	" " Pin
13710	18377	" Spring
50304C	18377	" Stud
52098	18377	" " 50304C with 1560C
50305C	18377	" " Set Screw

No.	Plate	Name
1560C	18377	Tension Thumb Nut
270087	18377	Tension complete, Nos. 13710, 32572, 52082, 52083, 52098, 270086 and two 2102
270096	18377	Thread Guide
236245	18377	" " (lower)
270077	18306	" " (on needle bar bushing)
350503H	18377	" " Screw (2)
270079	18306	" Pull-off
200196E	18306	" " Set Screw
270080	18377	" Retainer
200355H	18377	" " Set Screw
270150	18377	" Severing Finger
270151	18377	" " " Guard
350486XC	18377	" " " " Hinge Screw
270156	18377	" " " " " "
		Spring Washer
200567H	18377	Thread Severing Finger Screw
52082	18377	" Take-up Spring
52083	18377	" " " Regulator with 50305C
446C	18377	Thread Take-up Spring Regulator Set Screw
270775	18419	Throat Plate, 53 needle hole
691F	18419	" " Screw (2)

SINGER Needles should be used  
in SINGER Machines.  
These Needles and their Containers  
are marked with the  
Company's Trade-Mark "SIMANCO."\*\*\* |

Needles in Containers marked  
"FOR SINGER MACHINES"  
are NOT **SINGER** made needles. 2

## ACCESSORIES

No.	Plate	Name
270010	18379	Rotating Hook Bobbin (2)
228476	18422	Screw Driver (Bobbin Case)
88 x 1	----	Needles, six, size 16
228478	18311	Drip Pan with four 5/4 in. wire nails
12361	18422	Machine Hinge Connection (2)
41400	18422	" Rest Pin (wood)
120342	18422	Oiler (copper plated) with 120343
120343	18422	" Spout (3-1/2 in. long)
259477	18422	Screw Driver, 5 in. long

## KNEE LIFTER

228486	18311	Rock Lever Bracket with 200347C and three wood screws 7/8 in., No. 12
228361	18311	Rock Lever Bracket 228486 with 228359, 228363, 228367, 228386 and 228455
228359	18311	Rock Lever with two 350231C
228370	18311	" " Extension with 200529C
350231C	18311	" " " Set Screw
228363	18311	" " Hinge Pin
228364	18311	" " Knee Plate with 350231C
228388	18311	" " " " Arm
350231C	18311	" " " " " Set Screw
350231C	18311	" " " " " Set Screw
228455	18311	" " Position Spring
228365	18311	" " Rod
200529C	18311	" " " Set Screw
228386	18311	" " Spring
228367	18311	" " Stop Stud
200347C	18311	" " " " " Set Screw
228371	18311	Knee Lifter Rock Lever complete, Nos. 228361, 228364, 228365, 228370 and 228388

(Other Knee Lifter parts are listed with parts of machine head)



## BOBBIN WINDER

(SWINGING AUTOMATIC, RIGHT HAND)

FOR "V" BELT DRIVE

No.	Plate	Name
259428	18312	Brake (leather)
259429	18312	" Clamp
200113F	18312	" " Screw
225453	18312	Frame with 202277 and 259660
225454	18312	" Hinge Pin
202277	18312	" Oil Packing (wick)
259660	18312	" " Well Washer
225455	18312	" Spring
225456	18312	" " Plunger
259461	18312	Pulley with 200380C
200380C	18312	" Set Screw
225381	18312	Spindle
225444	18312	Stop Latch
200056E	18312	" " Screw
225458	18312	" " Thumb Lever
225459	18312	" " " " Hinge Stud
225459	18312	" " " " Joint Stud
202478	18312	" " Trip Lever
200299H	18312	" " " " Hinge Screw
225461	18312	Tension Bracket with 201499H
200082D	18312	" " Screw
228026	18312	" " Washer
2102	18312	" Disc
13710	18312	" Spring
201499H	18312	" Stud
201572H	18312	" " Thumb Nut
225462	18312	Bobbin Winder Tension Bracket complete, Nos. 13710, 201572H, 225461 and two 2102
259662	18312	Bobbin Winder and Tension Bracket Base
259462	18312	Universal Bobbin Winder complete, Nos. 200056E, 200082D, 200113F, 200299H, 202478, 225381, 225444, 225453 to 225456, 225458, 225462, 228026, 259428, 259429, 259461, 259662, two each 225459 and wood screws 3/4 in., No. 12, R.H.B.

## BELT GUARD

No.	Plate	Name
270153	18375	Belt Guard Bracket
350328H	18375	" " " Screw (2)
200362C	18375	" " Set Screw (2)
270152	18375	" " with two 200362C
270154	18375	Belt Guard complete, Nos. 270152, 270153 and two 350328H

## BOBBIN WINDER

(SWINGING AUTOMATIC, RIGHT HAND)

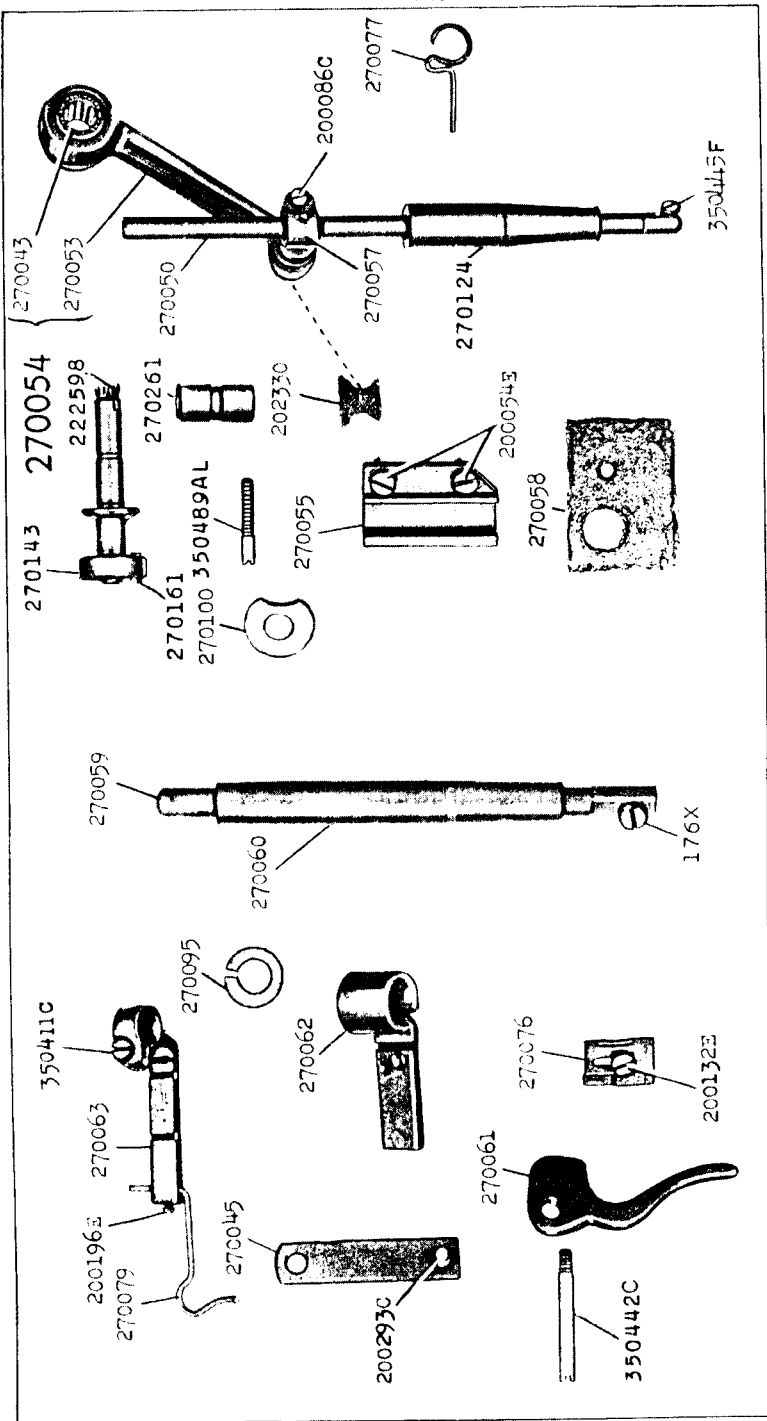
FOR 5/16 INCH ROUND BELT DRIVE

259428	18312	Brake (leather)
259429	18312	" Clamp
200113F	18312	" " Screw
225453	18312	Frame with 202277 and 259660
225454	18312	" Hinge Pin
202277	18312	" Oil Packing (wick)
259660	18312	" " Well Washer
225455	18312	" Spring
225456	18312	" " Plunger
225368	18312	Pulley with 200380C
200380C	18312	" Set Screw
225381	18312	Spindle
225444	18312	Stop Latch
200056E	18312	" " Screw
225458	18312	" " Thumb Lever
225459	18312	" " " " Hinge Stud
225459	18312	" " " " Joint Stud
202478	18312	" " Trip Lever
200299H	18312	" " " " Hinge Screw
225461	18312	Tension Bracket with 201499H
200082D	18312	" " Screw
228026	18312	" " Washer
2102	18312	" Disc
13710	18312	" Spring
201499H	18312	" Stud
201572H	18312	" " Thumb Nut
225462	18312	Bobbin Winder Tension Bracket complete, Nos. 13710, 201572H, 225461 and two 2102
259430	18312	Bobbin Winder and Tension Bracket Base
259431	18312	Universal Bobbin Winder complete, Nos. 200056E, 200082D, 200113F, 200299H, 202478, 225368, 225381, 225444, 225453 to 225456, 225458, 225462, 228026, 259428 to 259430, two each 225459 and wood screws 3/4 in., No. 12, R.H.B.

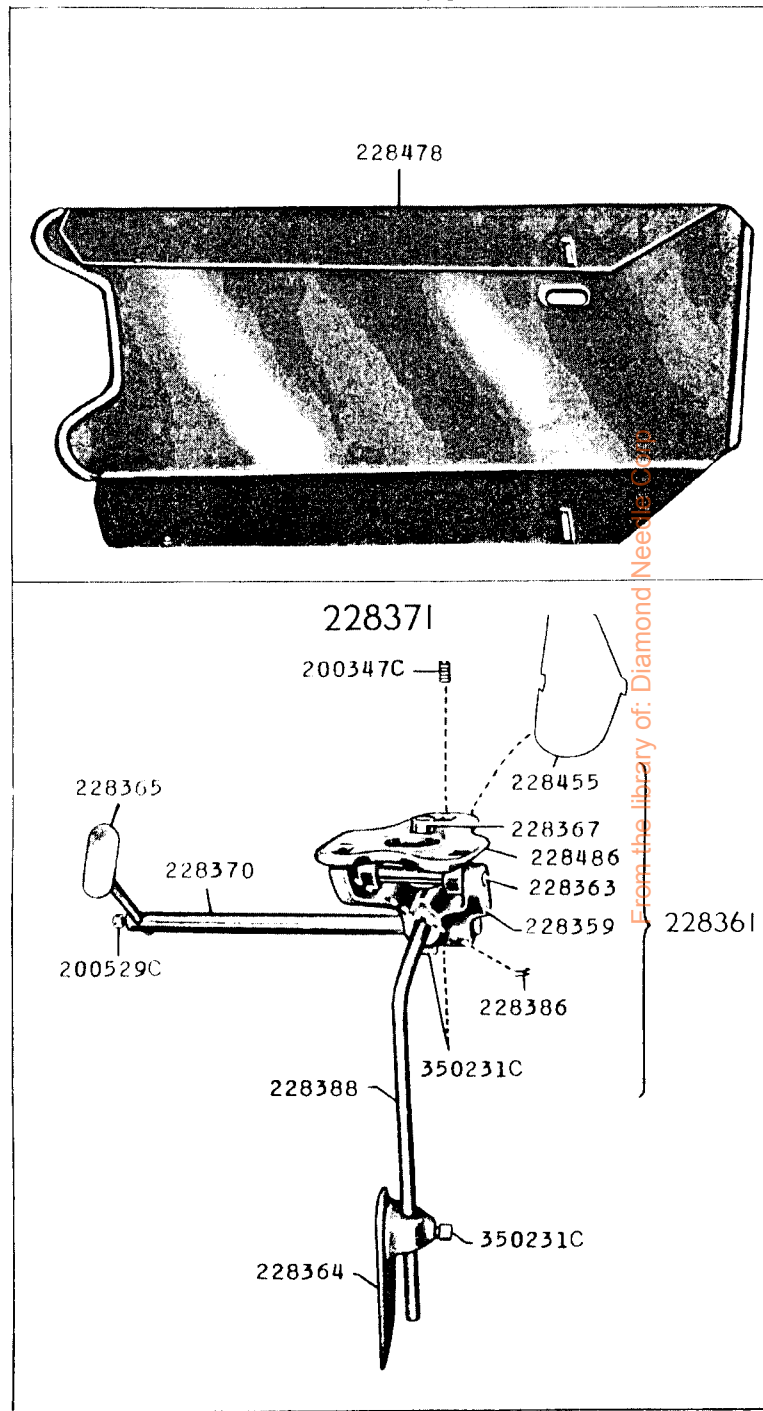
From the library of: Diamond Needle Corp



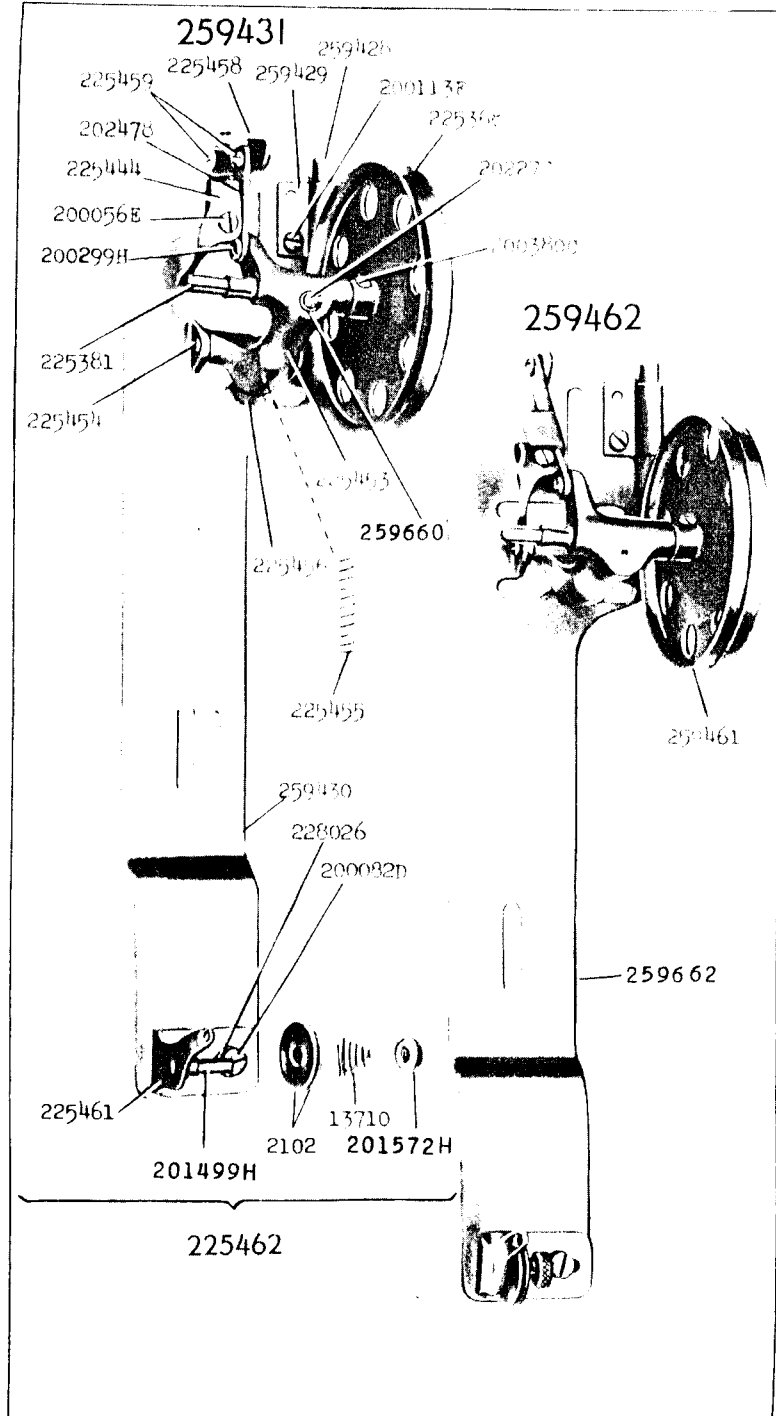
18306 - 1/2



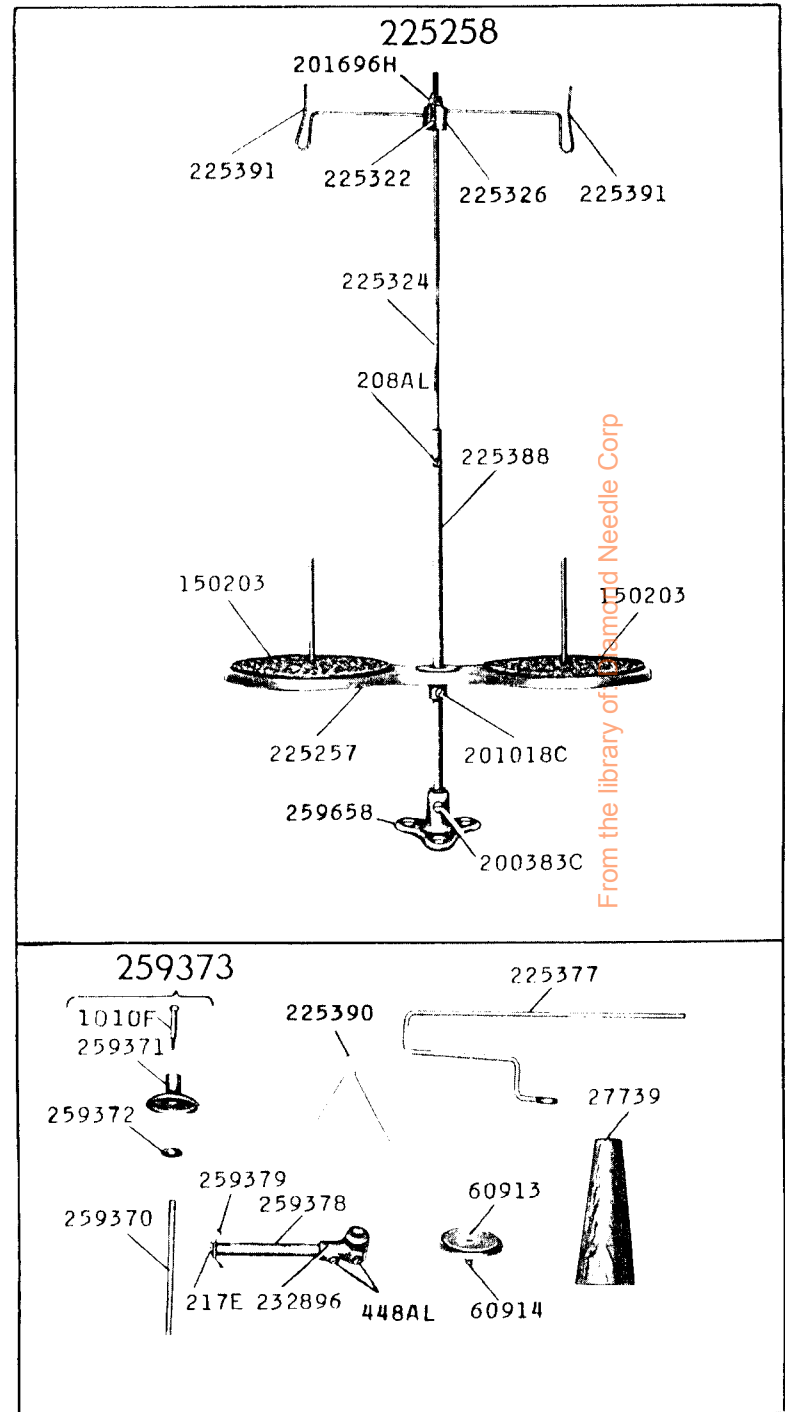
18311 - 1/4



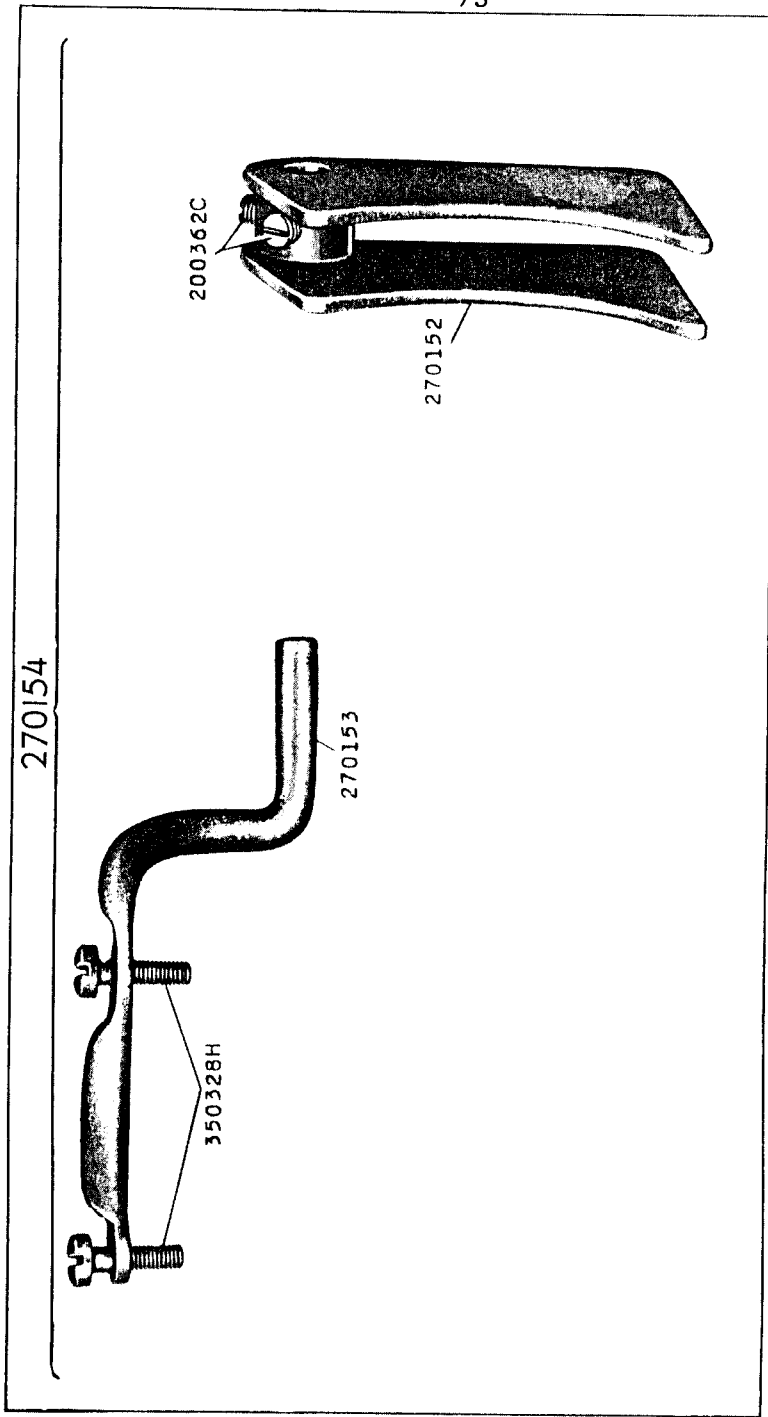
18312 - 3/8



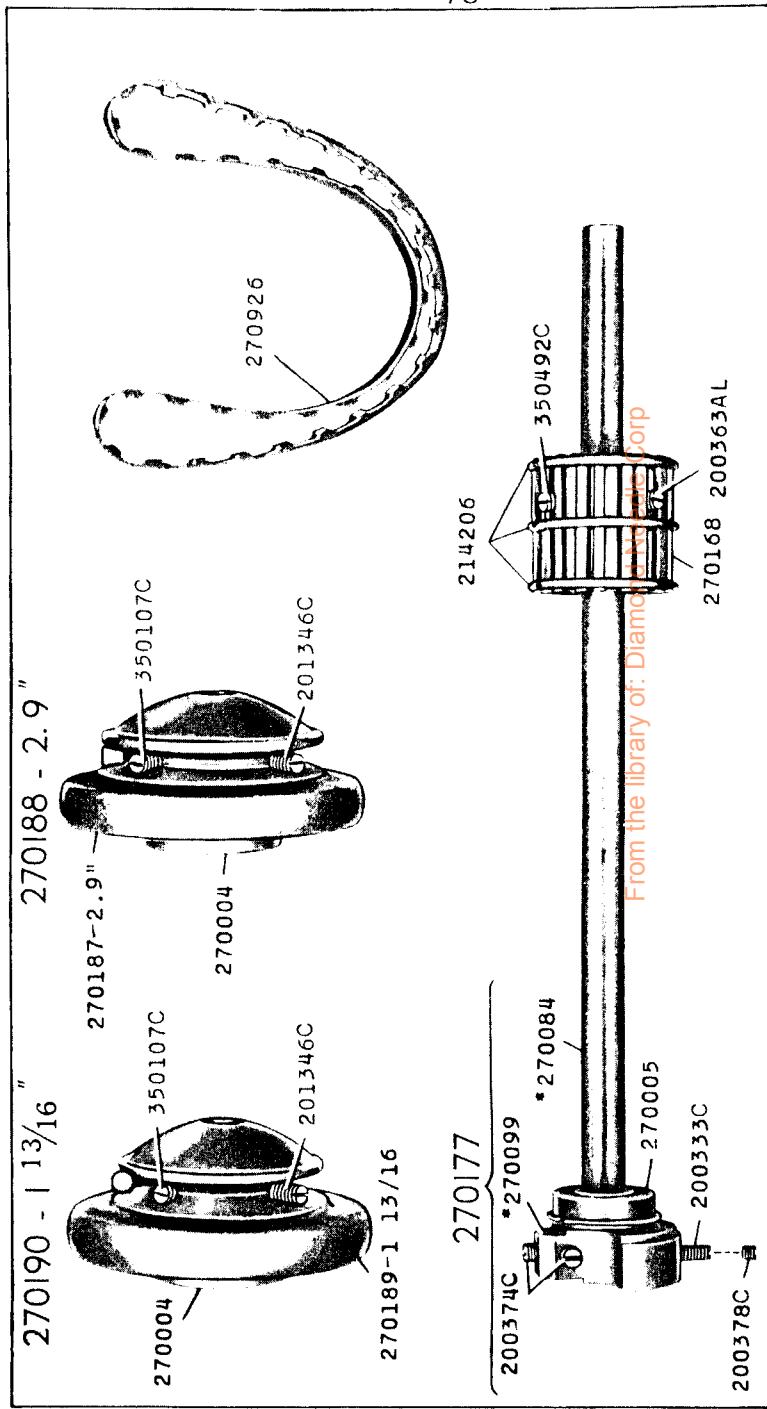
18362 - 1/6



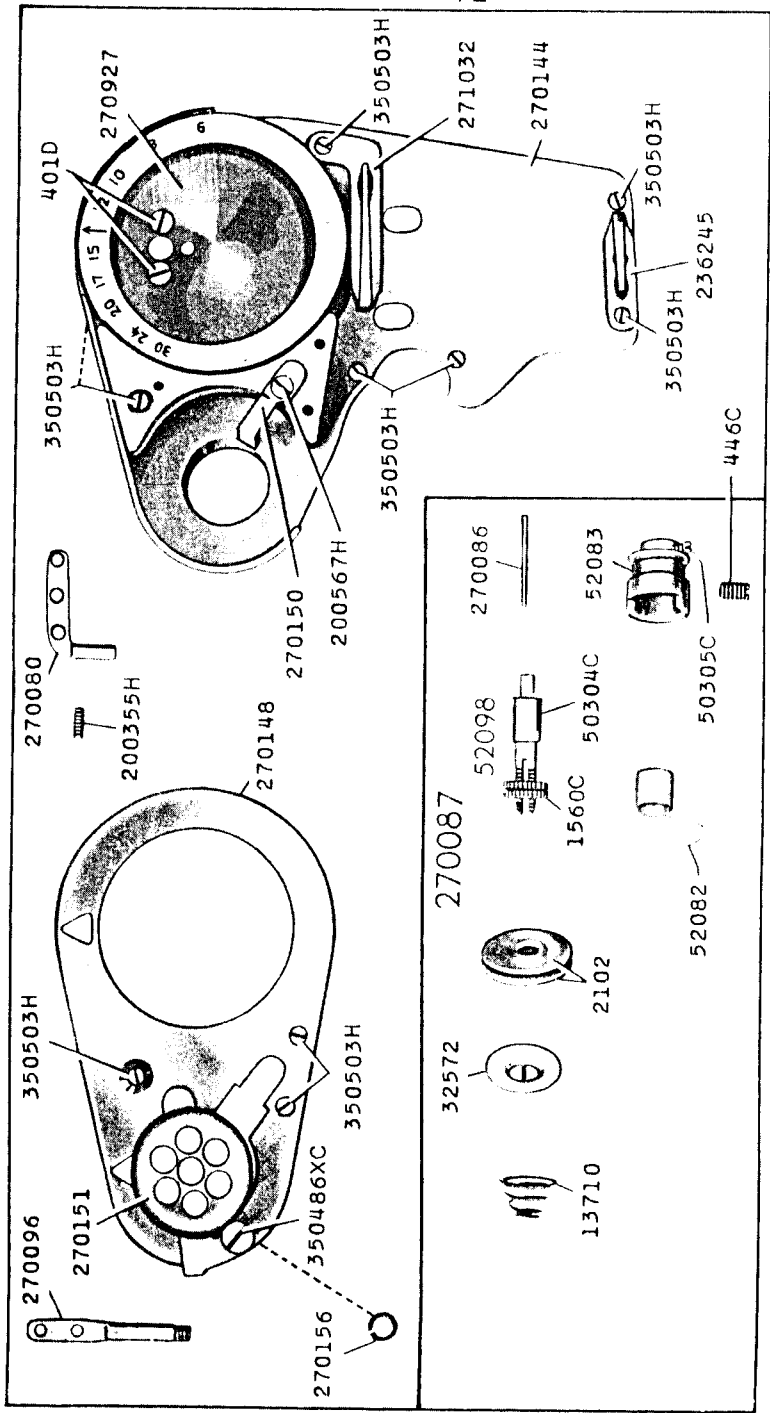
18375 - 2/3



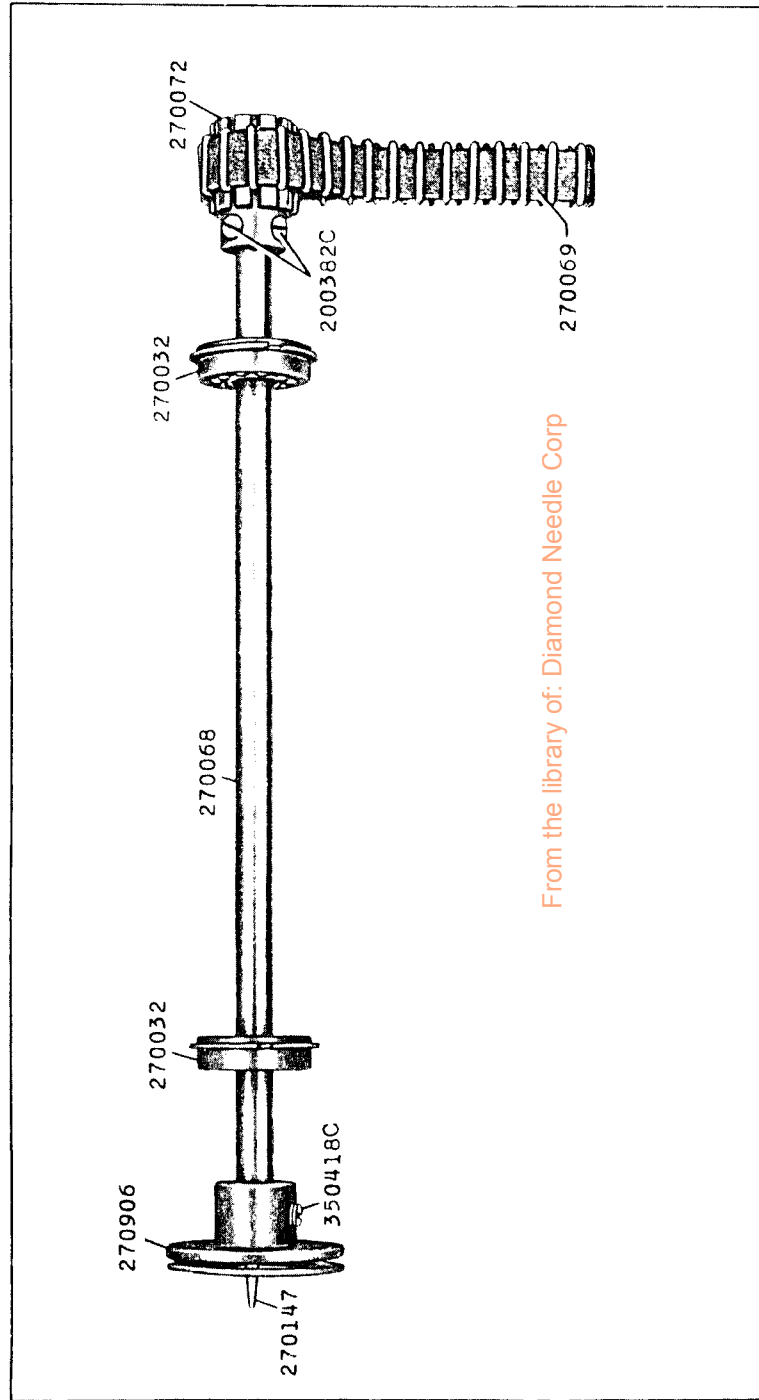
18376 - 3/8



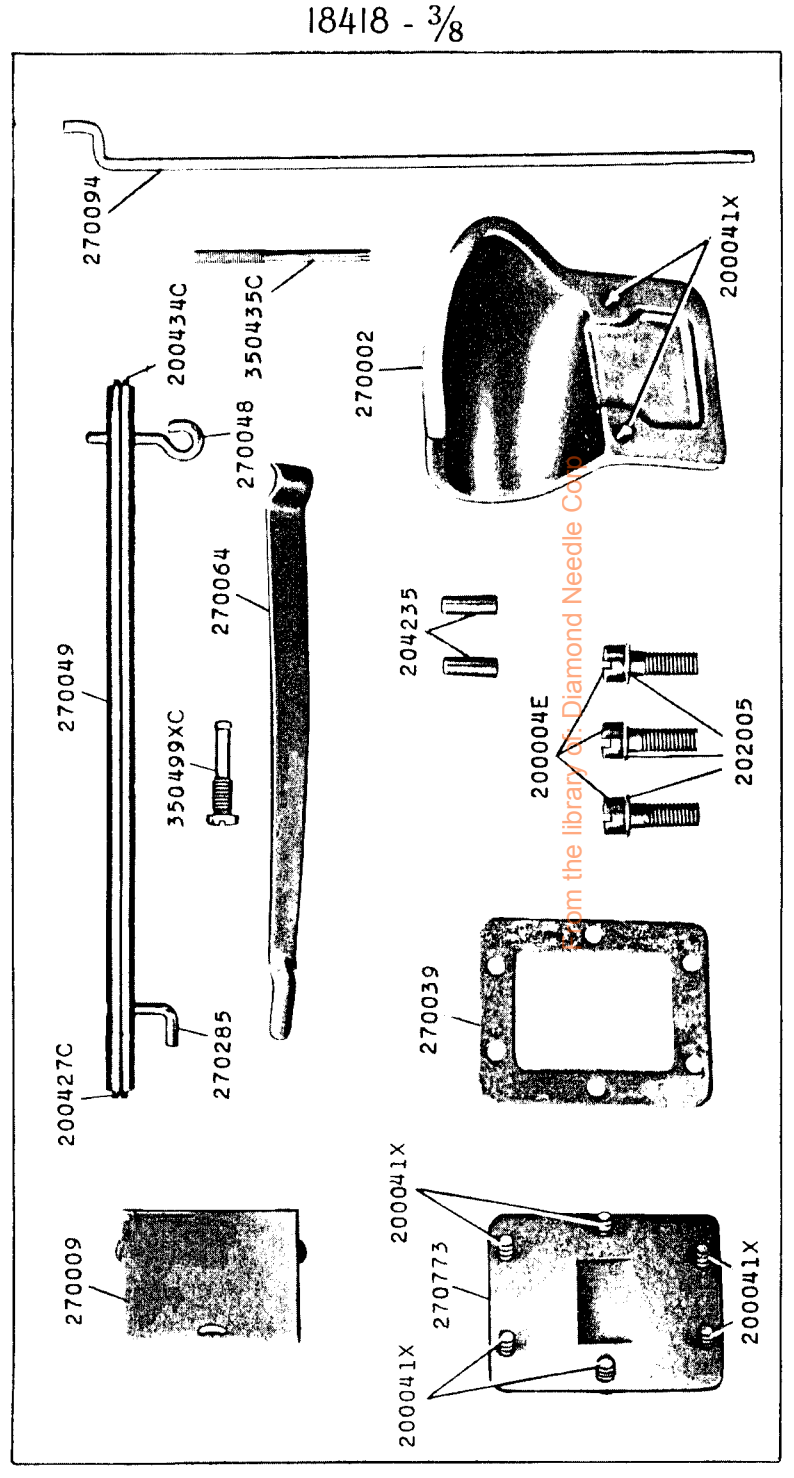
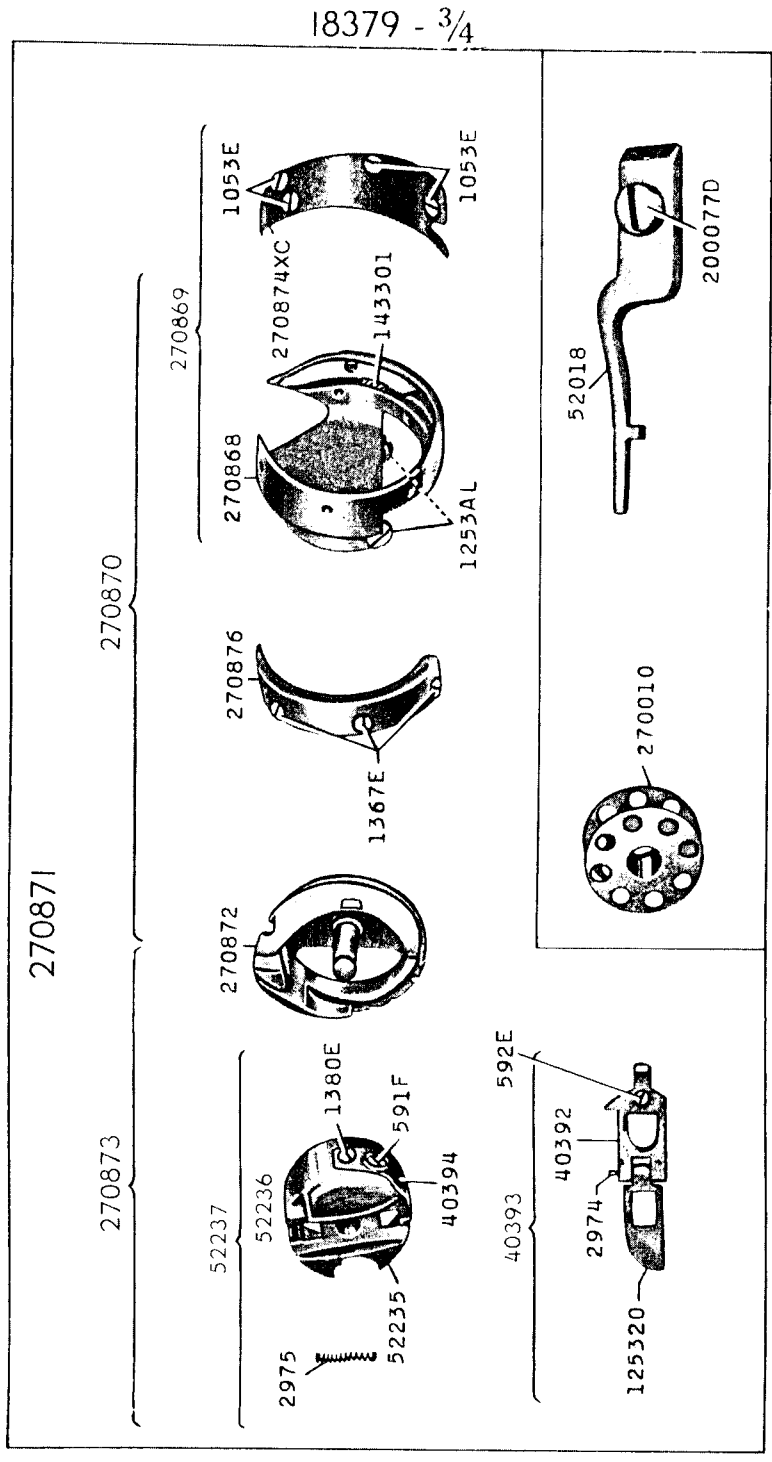
18377 - 1/2



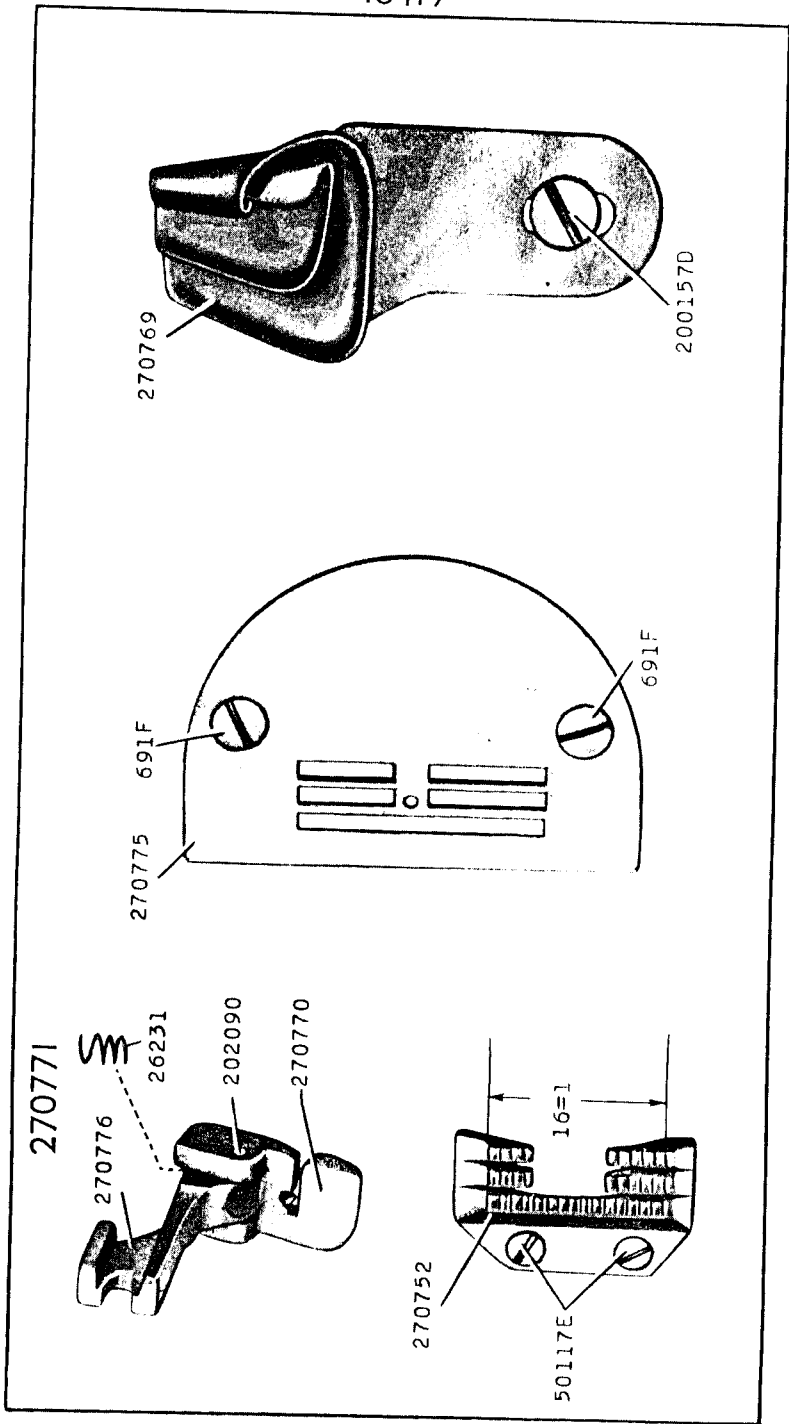
18378 - 1/2



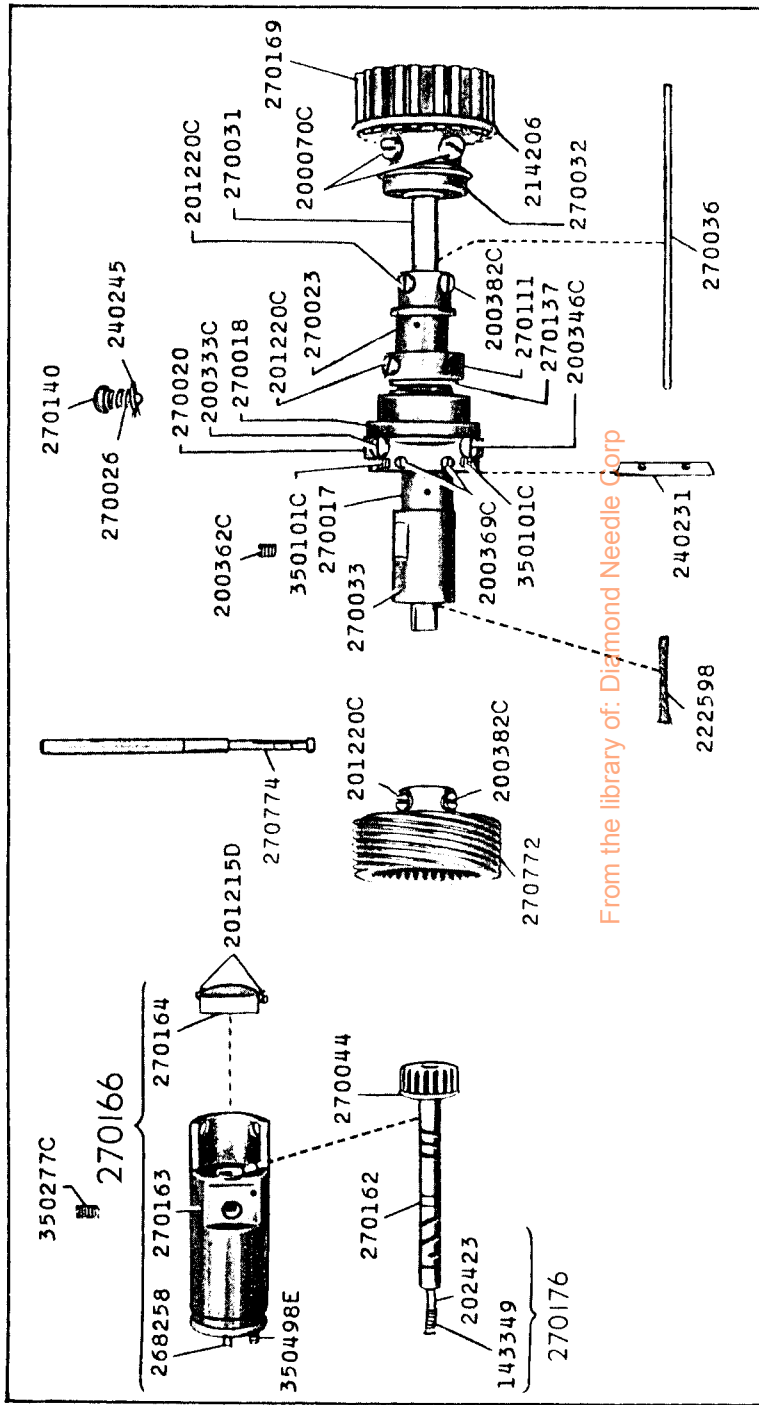
From the library of: Diamond Needle Corp



18419



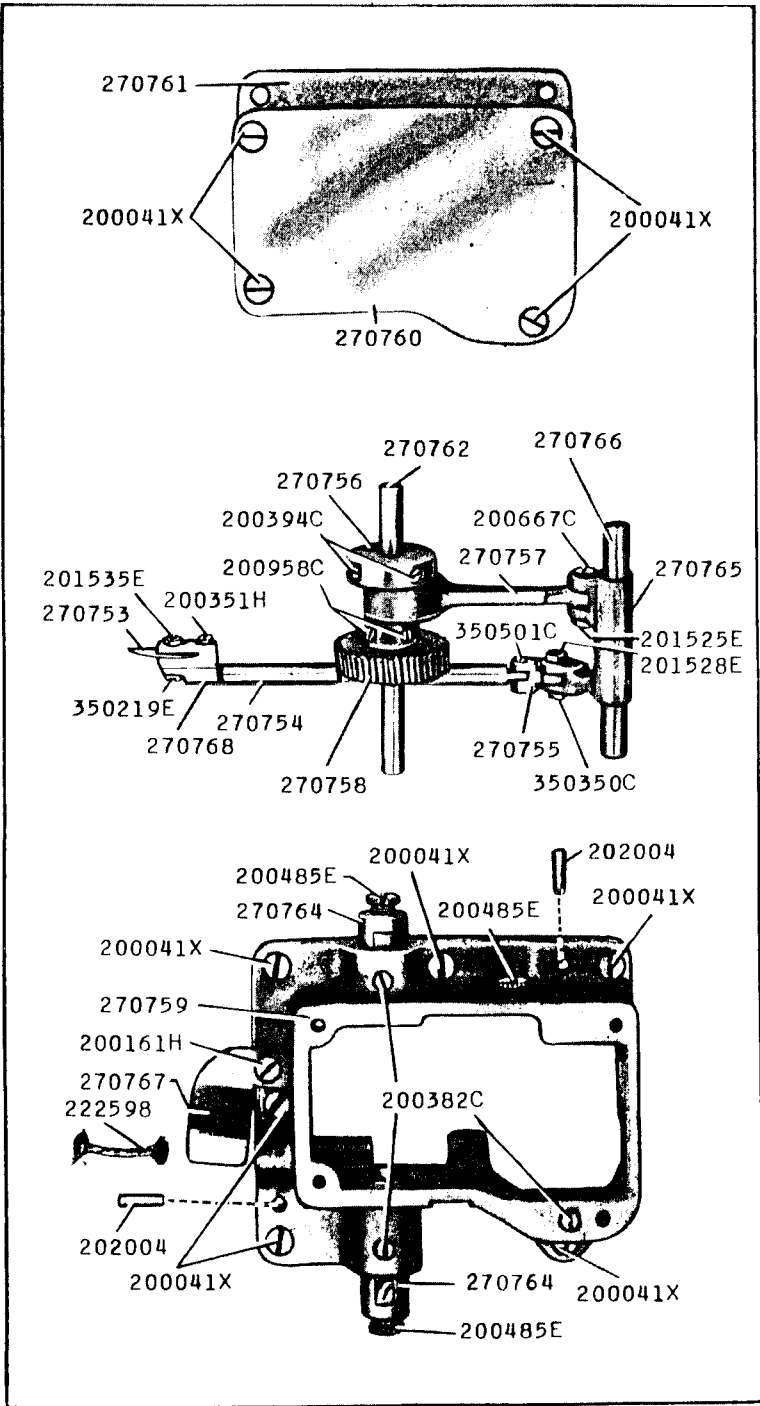
18420 - 3/8



From the library of: Diamond Needle Corp



18421 - 3/8



18422 - 1/2

